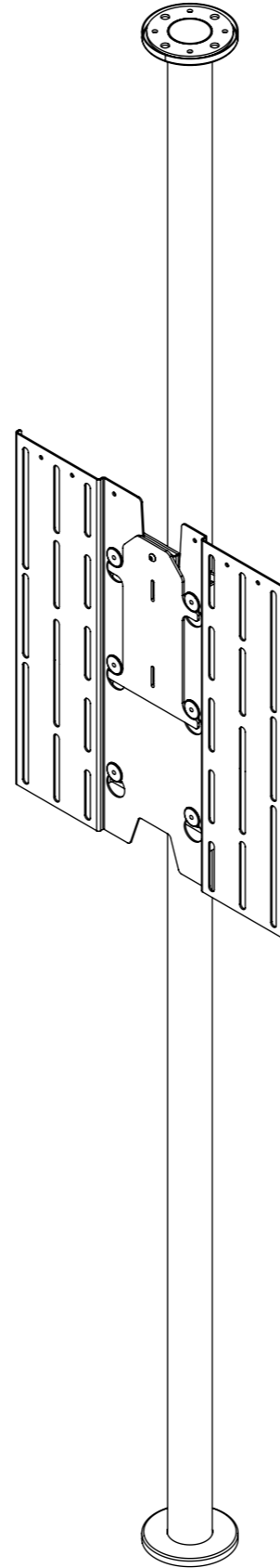


FCM

FLOOR TO CEILING MOUNT



future automation



FCM

FLOOR TO CEILING MOUNT



SPECIFICATION	MEASUREMENTS
Screen Sizes (Approx)	32" - 55"
Maximum Weight Capacity	50Kg (110lb)
Screen Orientation	Portrait or Landscape
Height	Custom
Packaging Dimensions	Variable
Shipping Weight	Variable
Maximum Rotation	180° - Bi-directional
Movement Type	Manual
Mounting Patterns Supported	VESA 400, 300, 200 W x 400, 300, 200 H
Product Options / Features	Specific B&O and Loewe mounts / adapters, Custom RAL paint finishes
Package Contents	Mechanism
Marine Suitable	No

FCM FLOOR TO CEILING MOUNT



GENERAL DIMENSIONS

When ordering an FCM, two dimensions will be required.

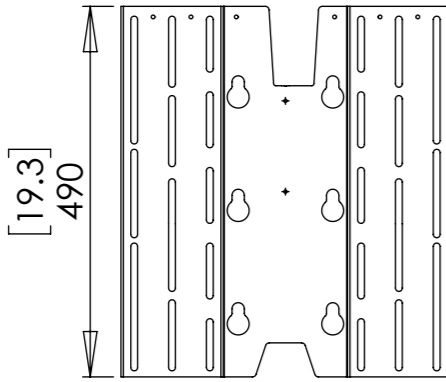
Dimension A: Floor to Ceiling Height (mm)

Dimension B: Screen Centre Height (mm)

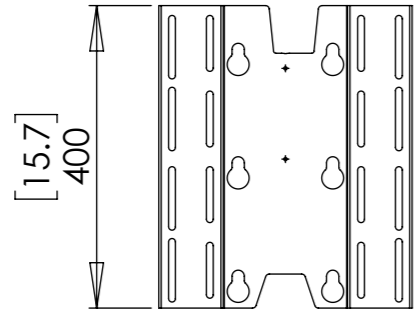
Example product order code:
FCM - A3000B1100

A standard adjustable height VESA 400 mount is included. This is also compatible with VESA 300 and 200 mounting patterns. Separate VESA 300 and 200 mounts are available for smaller screens.

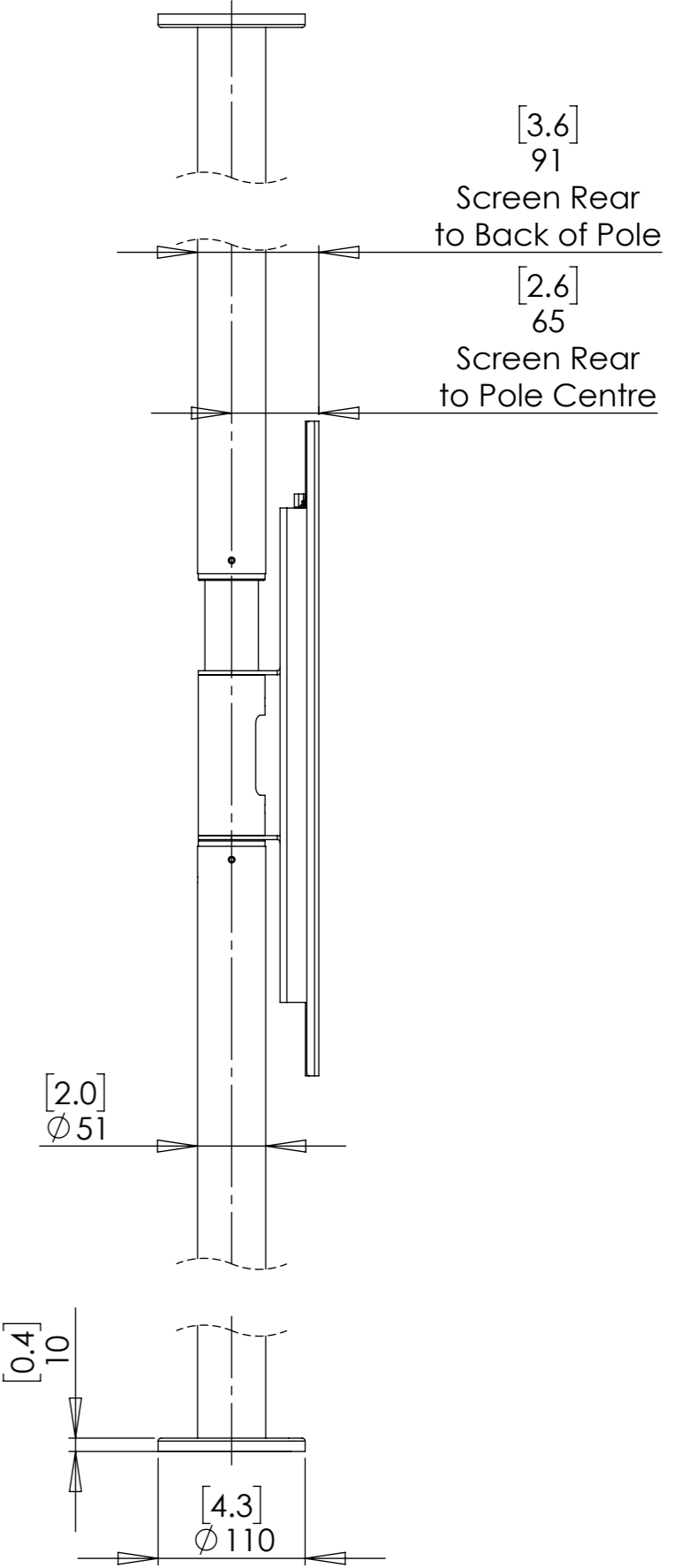
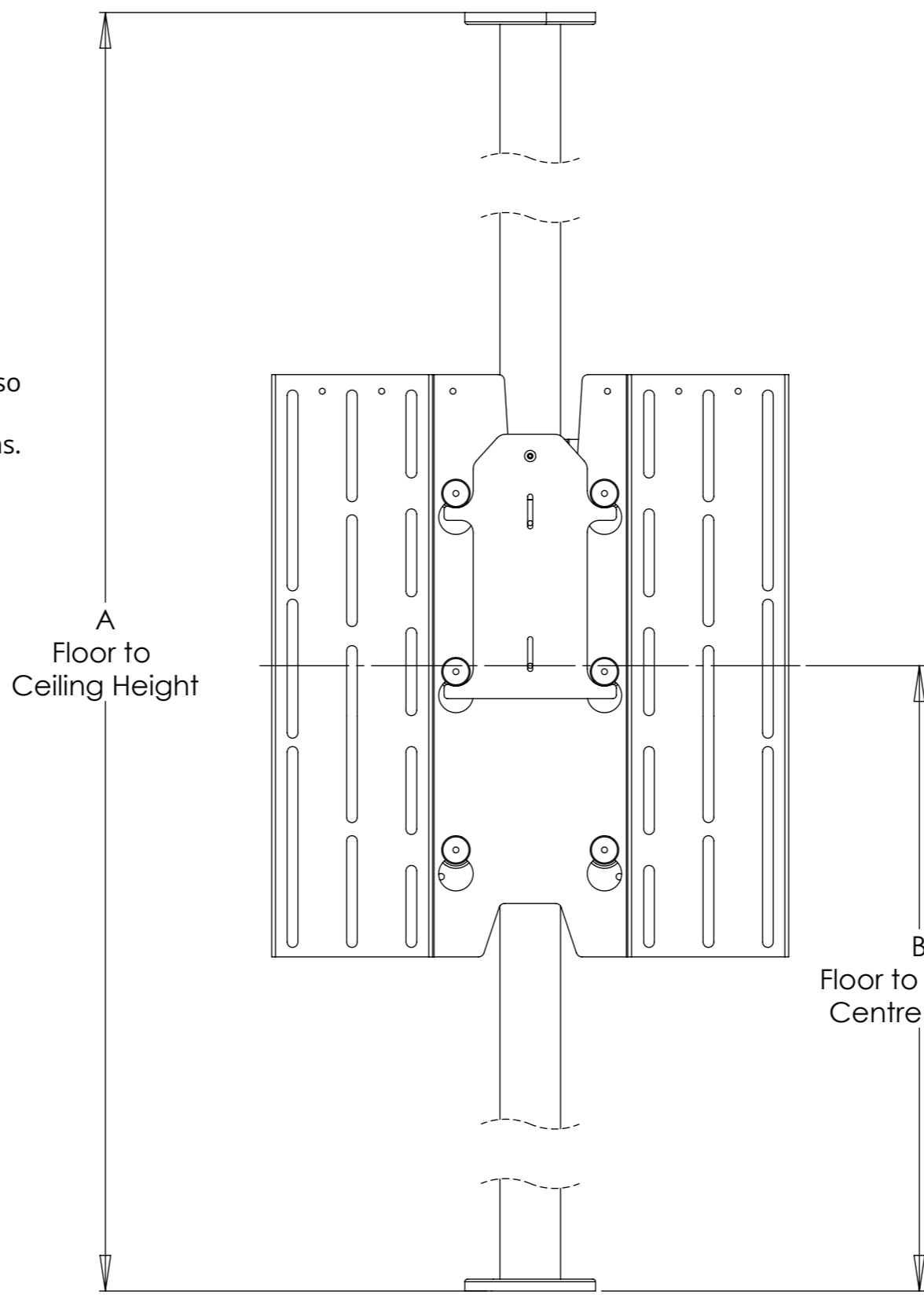
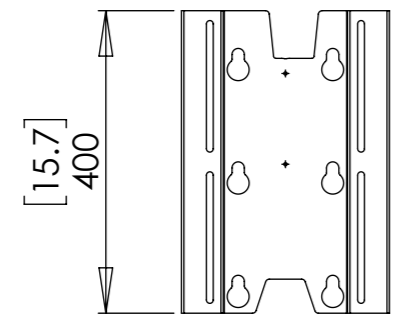
VESA 400



VESA 300



VESA 200

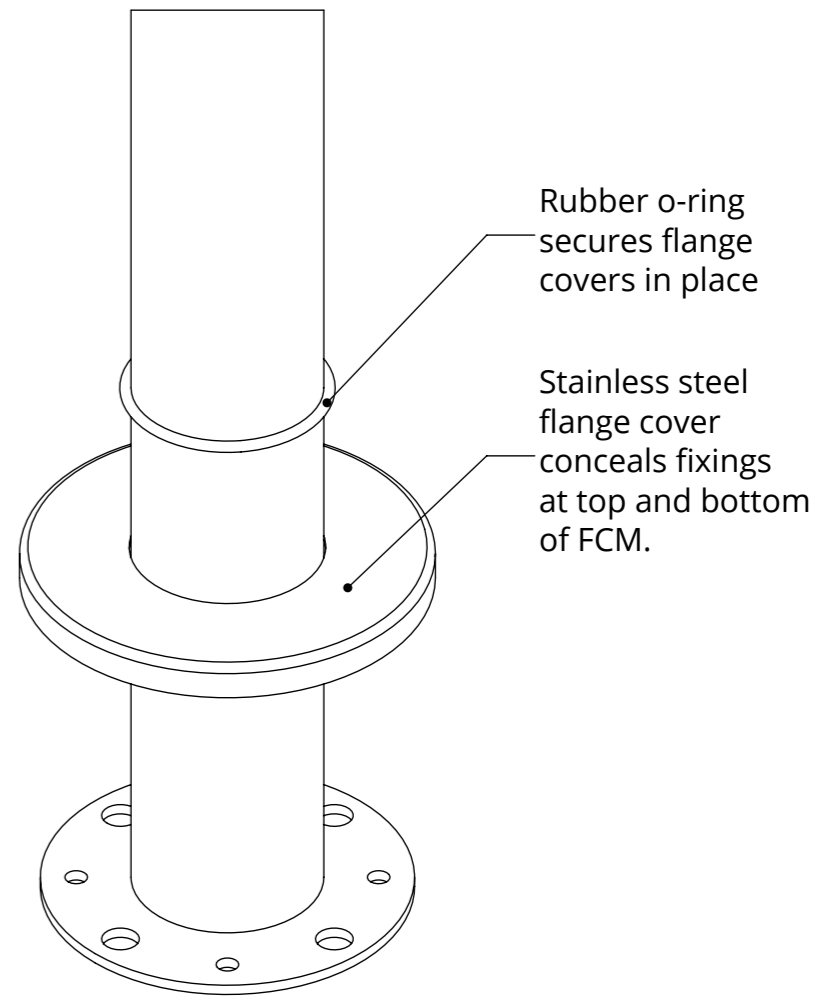
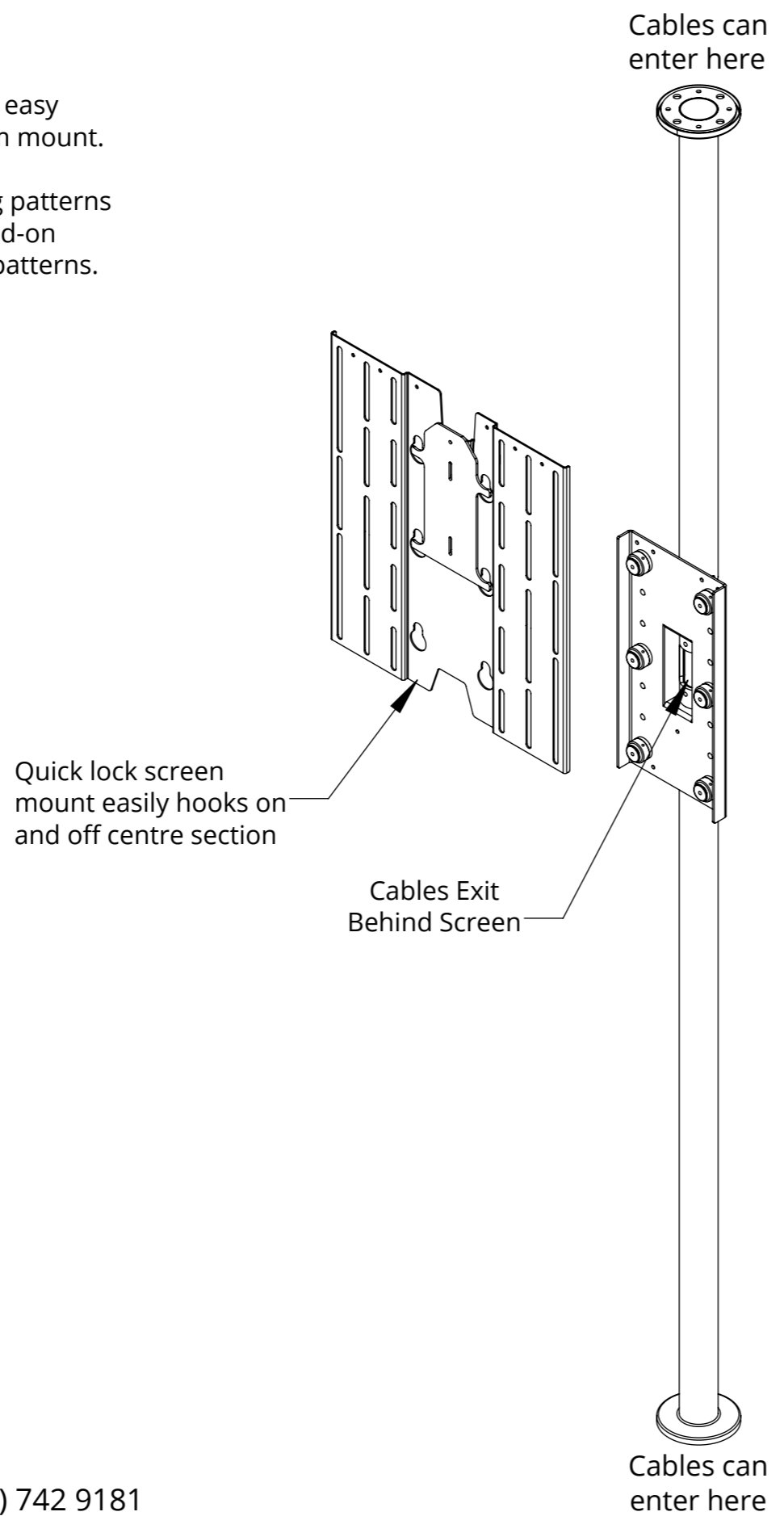


FCM FLOOR TO CEILING MOUNT

MOUNTING

Quick lock mount system allows simple and easy attachment and detachment of screen from mount.

Standard mount type supports screen fixing patterns from VESA 200x200 up to VESA 400x400. Add-on adapter plates are available for larger fixing patterns.



FCM FLOOR TO CEILING MOUNT



FIXING FLANGE DIMENSIONS

