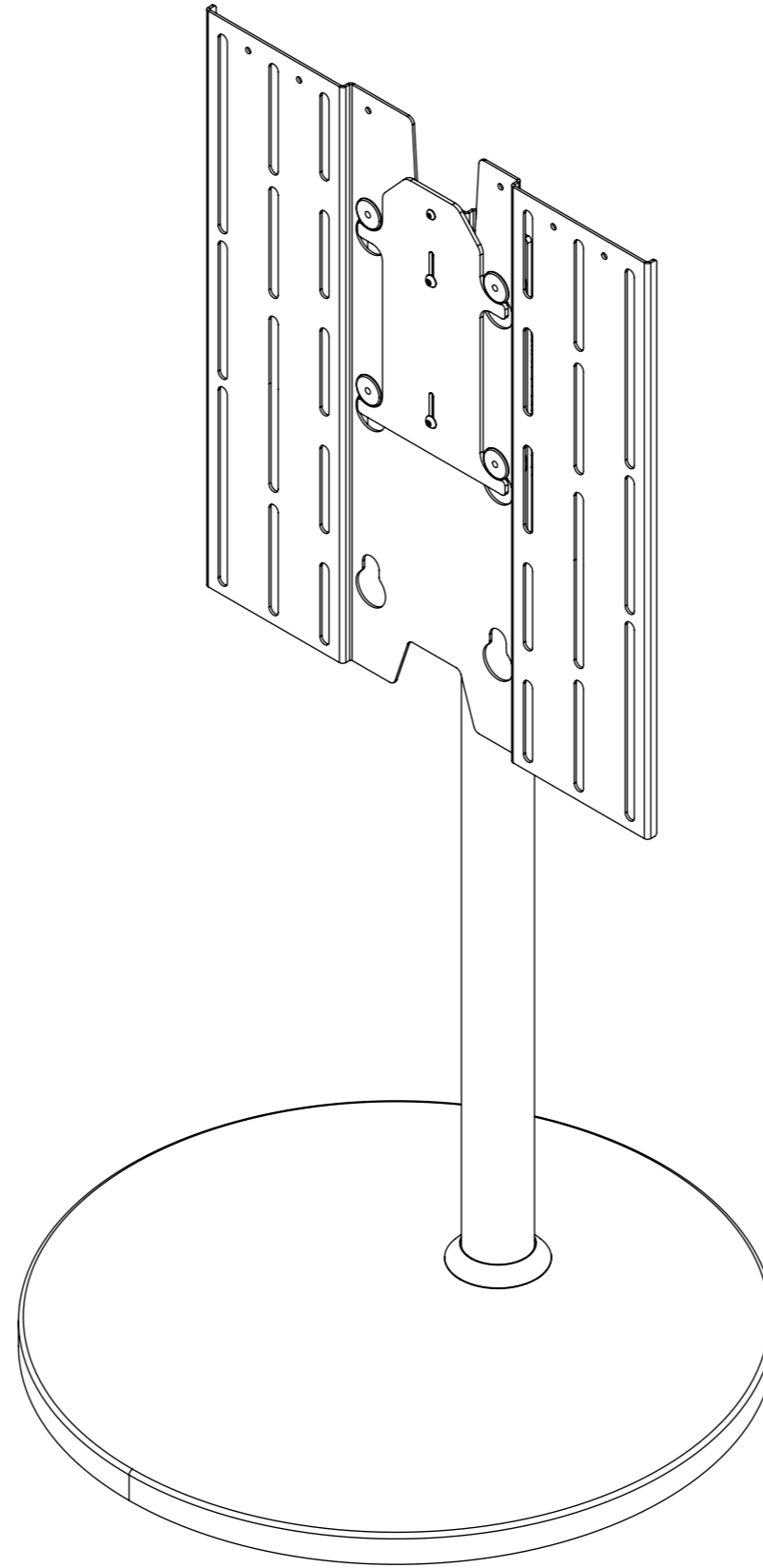


FM FLOOR MOUNT



future automation



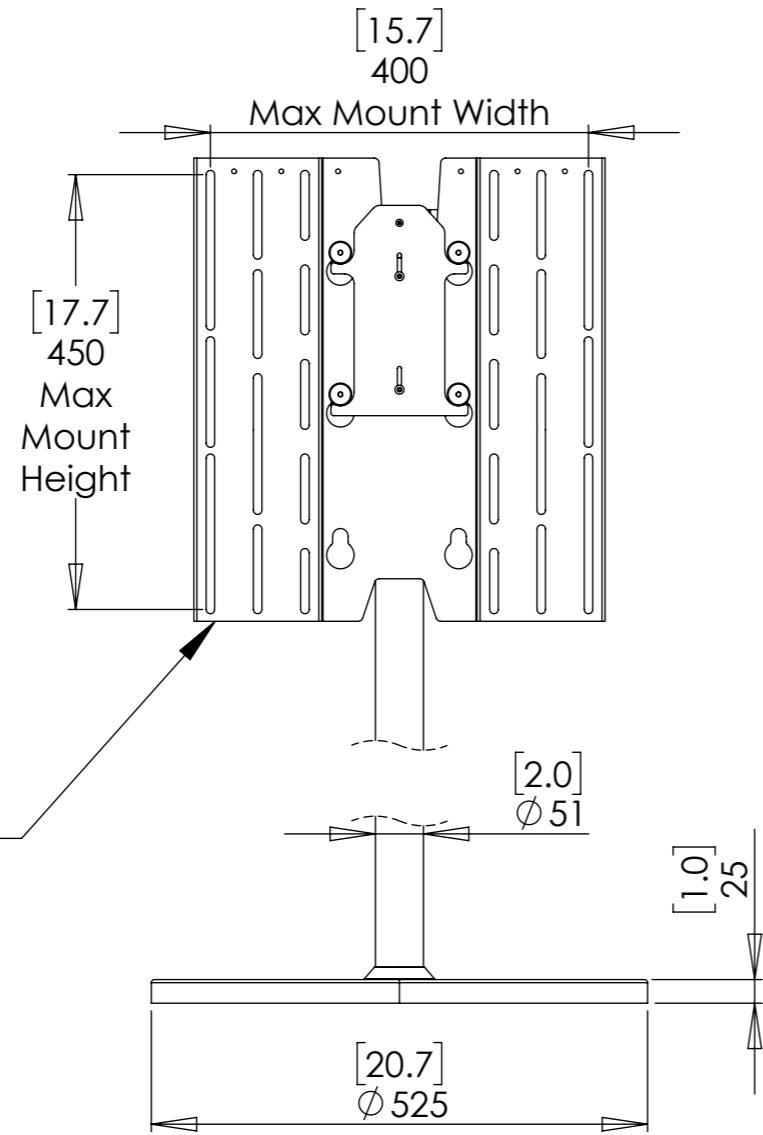
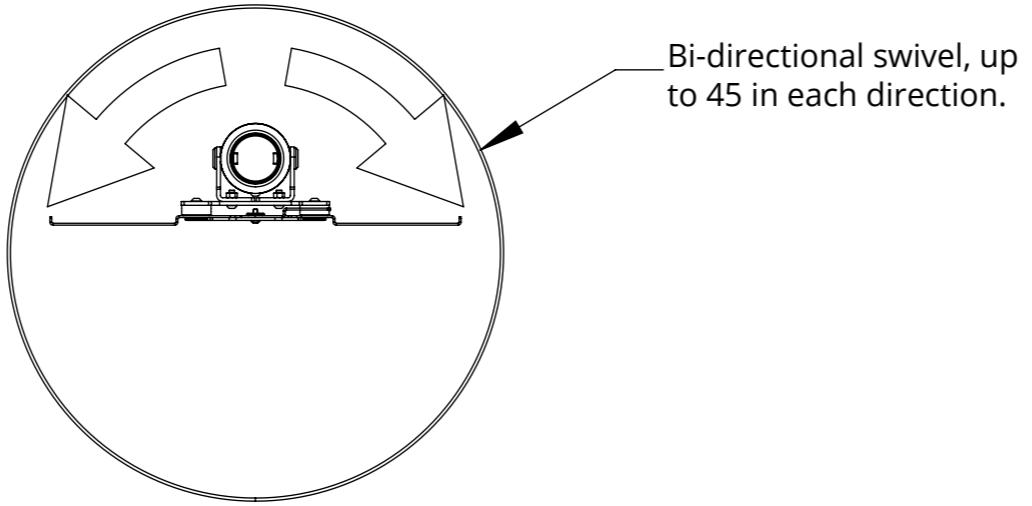
FM FLOOR MOUNT



SPECIFICATION	MEASUREMENTS
Product Dimensions	990mm (39") x 525mm (20.7") x 525mm (20.7")
Maximum Weight Capacity	50Kg (110lb)
Maximum Height of Screen	845mm (33.3") to screen centre
Standard Height of Screen	800mm (31") to screen centre
Minimum Height of Screen	700mm (27.6") to screen centre
Product Weight	15Kg (33lb)
Packaging Dimensions	820 x 580 x 160mm (32.28 x 22.83 x 6.29")
Shipping Weight	20Kg (44lb)
Maximum Rotation	45° - in either direction
Movement Type	Manual
Cable Management	Can be concealed within pole
Mounting Patterns Supported	V400 Mount - VESA 400, 300, 200 W x 400, 300, 200 H / V200 Mount - VESA 200 W x VESA 200 H
Product Options / Features	Specific B&O and Loewe mounts / adapters, Custom RAL paint finishes, Marine suitable version
Package Contents	Mechanism
Marine Suitable	No

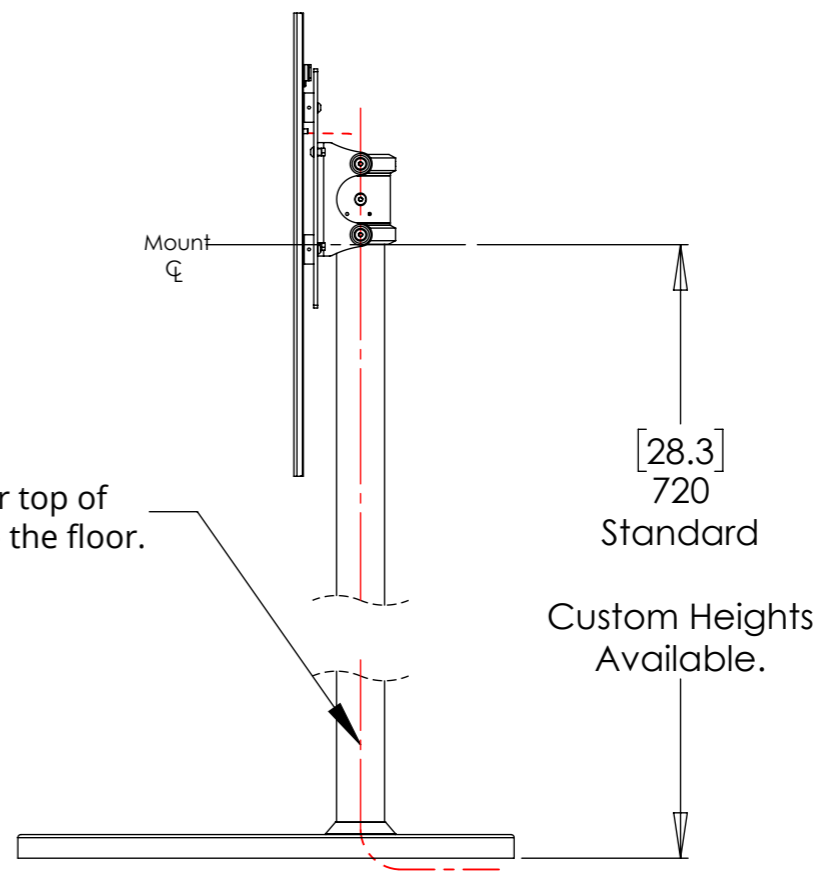
FM FLOOR MOUNT

MOUNT DIMENSIONS



Quick release mount can accommodate bolt patterns up to VESA 400x400.
Custom mount options available.

Screen cables to enter top of pole and run down to the floor.



FM FLOOR MOUNT



MOUNT CONFIGURATIONS

A standard adjustable height VESA 400 mount is included. This is also compatible with VESA 300 and 200 mounting patterns.

With any length pole the screen mount allows up to +45mm [1.8"] and -100mm [4.0"] of height adjustment by switching its orientation.

Separate VESA 200 mount available for smaller screens.

