

INTELLIGENT COVERAGE ANGLE
Next generation Directivity Pattern Control

Reference axis at 30degrees with a broader listening window of +/-30V and +/-55H degrees allows ideal coverage for most listening spaces

MODEL R3ic



TECHNICAL SPECIFICATIONS



The perfect solution for high end Dolby Atmos, DTS:X, and Auro-3D applications. Featuring an innovative new waveguide array controlling Mid/High frequencies, centered by our 28mm soft dome tweeter and 28mm soft dome mid. Optimized for in-ceiling applications where a 30 degree reference axis is desired as well as larger listening window in the direction towards the listening space. Extremely versatile - Can be used as L,C,R, surround, height, or wide channel speaker. Once again, all transducers were developed ground up by our engineers sharing largely from with R-Series, based on decades of research, culminating in this world class design. Utilizing advanced Comsol acoustical modeling, the result is one of the most technologically advanced in-ceiling loudspeakers available. This new tweeter/waveguide DPC-Array delivers amazing accuracy, smoothness, and directivity control to handle the critical vocal range and delicate treble. The R3ic also benefits from our unique and proprietary timbre matching technique across the entire R-Series.

Enclosure Alignment
3-way acoustic suspension

Driver compliment

DPC Array
28mm silk dome tweeter
28mm silk dome mid

Woofers
165mm Alum frame, HPF pulp

Sensitivity
88.8dB / 2.83v / 1.0m

Impedance
4Ω nominal / 3.0Ω min

Coverage Window (from 30deg Ref)
Horizontal: +/-55 deg
Vertical: +/-30 deg

Response Linearity
100 - 20kHz +/-1.5dB window

Frequency Response
59 - 30kHz (-6dB)
46 - 33kHz (-10dB)

Typical In Room bass extension
51 Hz (-6dB)
36 Hz (-10dB)

Overall Dimensions (with grille)
343.3 diam x 194.8mm depth
13.5" diam x 7.7" depth

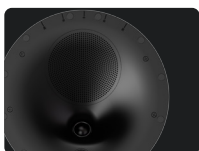
Recommended cutout
305mm diameter
12" diameter

Weight
20.4lbs. (9.4kg)
11.8lbs. (5.4kg) without enclosure

Recommended Amplifier Power
50 - 200W (with 80Hz HPF)
50 - 125W (full range)

SPL capability @1m (100-20kHz)
111.8dB peak
111.0dB peak <3% 2nd, 3rd Harmonics

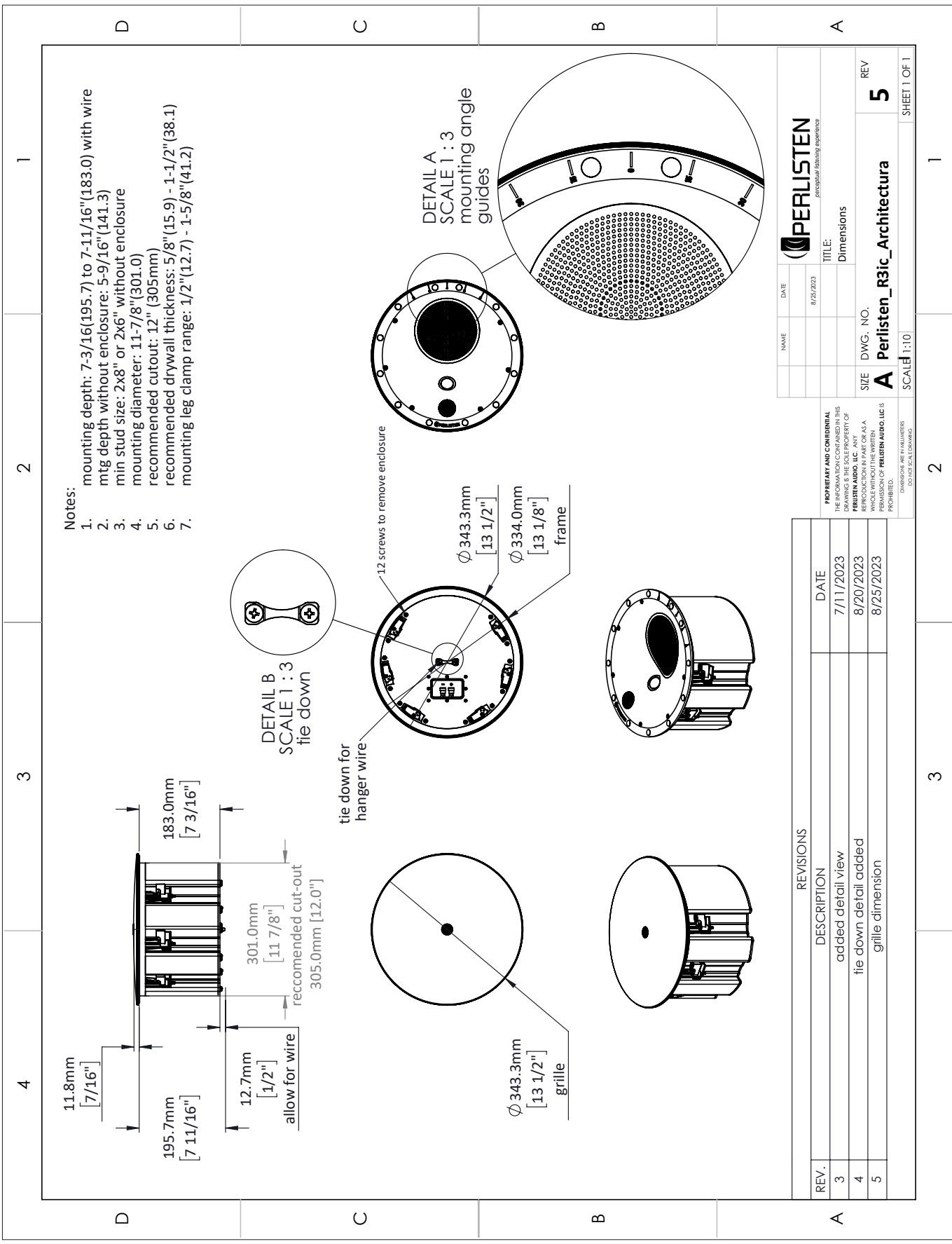
Certification
THX Dominus, THX Ultra



Newly developed waveguide array
* Patent Pending



HPF - Hybrid Pulp Formulation.
Woofer diaphragm made from mixed long fiber hardwood, bamboo and wool



NAME	DATE	PERLISTEN perceptual listening experience
	8/25/2023	TITLE: Dimensions
SIZE	DWG. NO.	REV
A	Perlisten_R3ic_Architectura	5
SCALE 1:10		SHEET 1 OF 1

PROPRIETARY AND CONFIDENTIAL
 THE INFORMATION CONTAINED IN THIS DOCUMENT IS THE PROPERTY OF PERLISTEN AUDIO, LLC. ANY REPRODUCTION IN PART OR AS A WHOLE WITHOUT THE WRITTEN PERMISSION OF PERLISTEN AUDIO, LLC IS PROHIBITED.
 © 2023 PERLISTEN AUDIO, LLC. ALL RIGHTS RESERVED. DO NOT SCALE FORWARD

REV.	DESCRIPTION	DATE
3	added detail view	7/11/2023
4	tie down detail added	8/20/2023
5	grille dimension	8/25/2023